

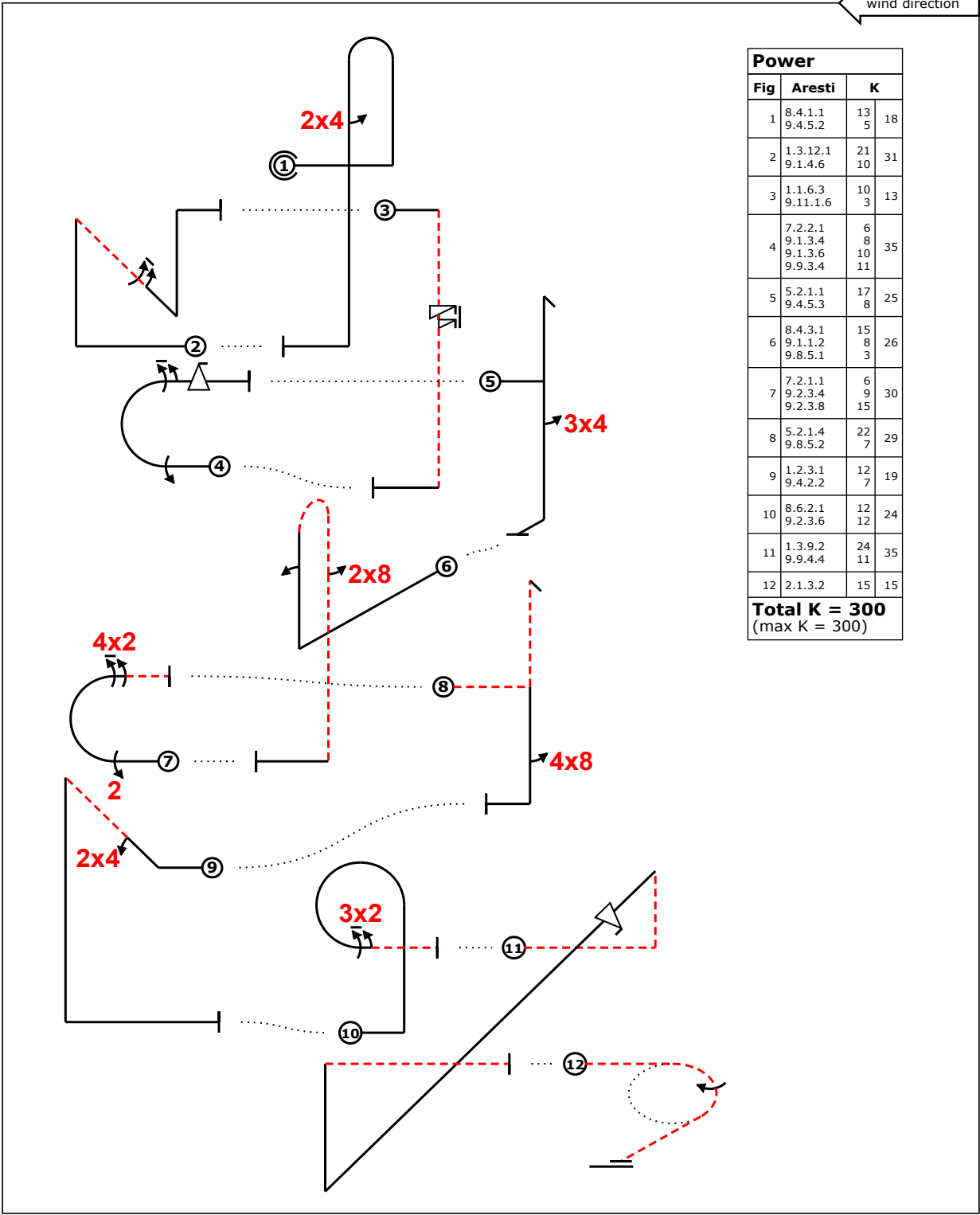
Advanced IAC Free Ulrik Hasle 2019.seq - Starmoen (ENSM)



B	Contest: Nordic Aerobatic Chamionship	Category: Advanced
	Date: aug. 2019	Program: Free

Pilot: Ulrik Hasle

wind direction



Power			
Fig	Aresti	K	
1	8.4.1.1 9.4.5.2	13 5	18
2	1.3.12.1 9.1.4.6	21 10	31
3	1.1.6.3 9.11.1.6	10 3	13
4	7.2.2.1 9.1.3.4 9.1.3.6 9.9.3.4	6 8 10 11	35
5	5.2.1.1 9.4.5.3	17 8	25
6	8.4.3.1 9.1.1.2 9.8.5.1	15 8 3	26
7	7.2.1.1 9.2.3.4 9.2.3.8	6 9 15	30
8	5.2.1.4 9.8.5.2	22 7	29
9	1.2.3.1 9.4.2.2	12 7	19
10	8.6.2.1 9.2.3.6	12 12	24
11	1.3.9.2 9.9.4.4	24 11	35
12	2.1.3.2	15	15
Total K = 300 (max K = 300)			

A/C: Extra 300S

(signature/date)

FREE PROGRAM CHECK BY:

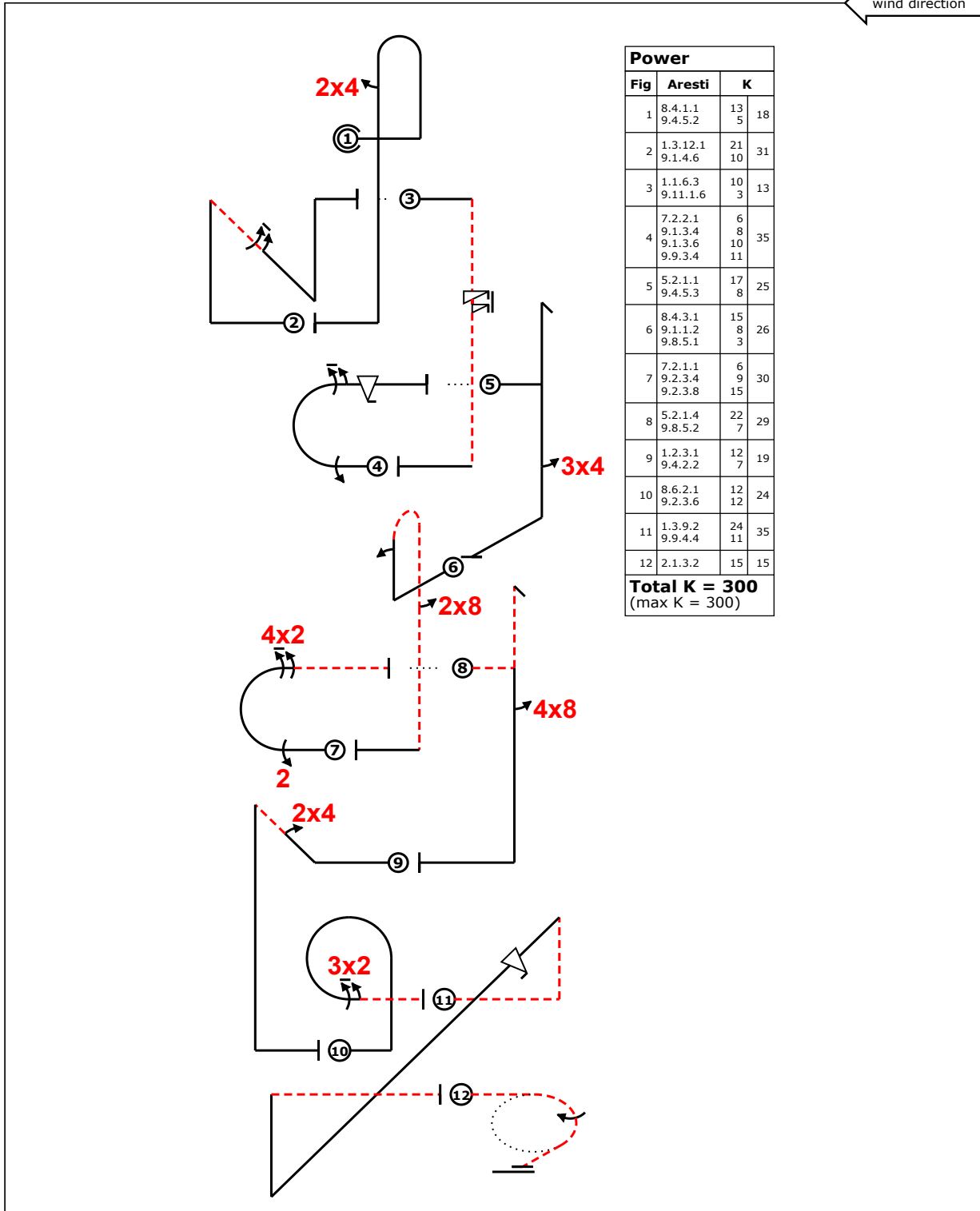
Advanced IAC Free Tor Andre FUSDahl 2019.seq - Starmoen (ENSM)



B	Contest: Nordic Aerobatic Championship	Category: Advanced
	Date: aug. 2019	Program: Free

Pilot: Tor Andre FUSDahl

wind direction



Power			
Fig	Aresti	K	
1	8.4.1.1	13	18
	9.4.5.2	5	
2	1.3.12.1	21	31
	9.1.4.6	10	
3	1.1.6.3	10	13
	9.11.1.6	3	
4	7.2.2.1	6	35
	9.1.3.4	8	
	9.1.3.6	10	
	9.9.3.4	11	
5	5.2.1.1	17	25
	9.4.5.3	8	
6	8.4.3.1	15	26
	9.1.1.2	8	
	9.8.5.1	3	
7	7.2.1.1	6	30
	9.2.3.4	9	
	9.2.3.8	15	
8	5.2.1.4	22	29
	9.8.5.2	7	
9	1.2.3.1	12	19
	9.4.2.2	7	
10	8.6.2.1	12	24
	9.2.3.6	12	
11	1.3.9.2	24	35
	9.9.4.4	11	
12	2.1.3.2	15	15
Total K = 300 (max K = 300)			

A/C: Extra 230

.....
(signature/date)

FREE PROGRAM CHECK BY:

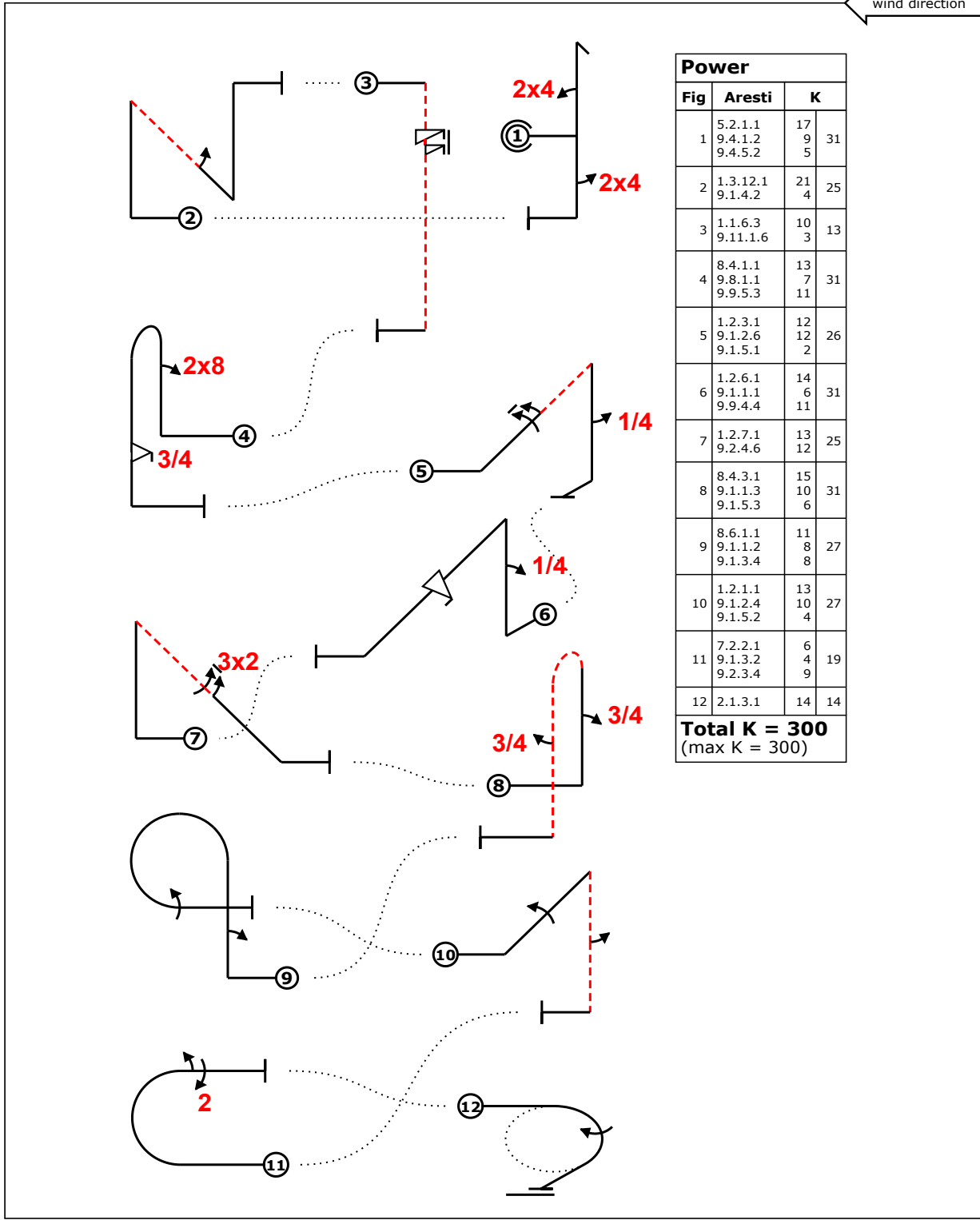
Advanced IAC Free Anders Trygg 2019.seq - Starmoen (ENSM)



B	Contest: Nordic Aerobatic Championship	Category: Advanced
	Date: aug. 2019	Program: Free

Pilot: Anders Trygg

wind direction



Power			
Fig	Aresti	K	
1	5.2.1.1	17	31
	9.4.1.2	9	
	9.4.5.2	5	
2	1.3.12.1	21	25
	9.1.4.2	4	
3	1.1.6.3	10	13
	9.11.1.6	3	
4	8.4.1.1	13	31
	9.8.1.1	7	
	9.9.5.3	11	
5	1.2.3.1	12	26
	9.1.2.6	12	
	9.1.5.1	2	
6	1.2.6.1	14	31
	9.1.1.1	6	
	9.9.4.4	11	
7	1.2.7.1	13	25
	9.2.4.6	12	
8	8.4.3.1	15	31
	9.1.1.3	10	
	9.1.5.3	6	
9	8.6.1.1	11	27
	9.1.1.2	8	
	9.1.3.4	8	
10	1.2.1.1	13	27
	9.1.2.4	10	
	9.1.5.2	4	
11	7.2.2.1	6	19
	9.1.3.2	4	
	9.2.3.4	9	
12	2.1.3.1	14	14
Total K = 300		(max K = 300)	

A/C: YAK 55

(signature/date)

FREE PROGRAM CHECK BY:

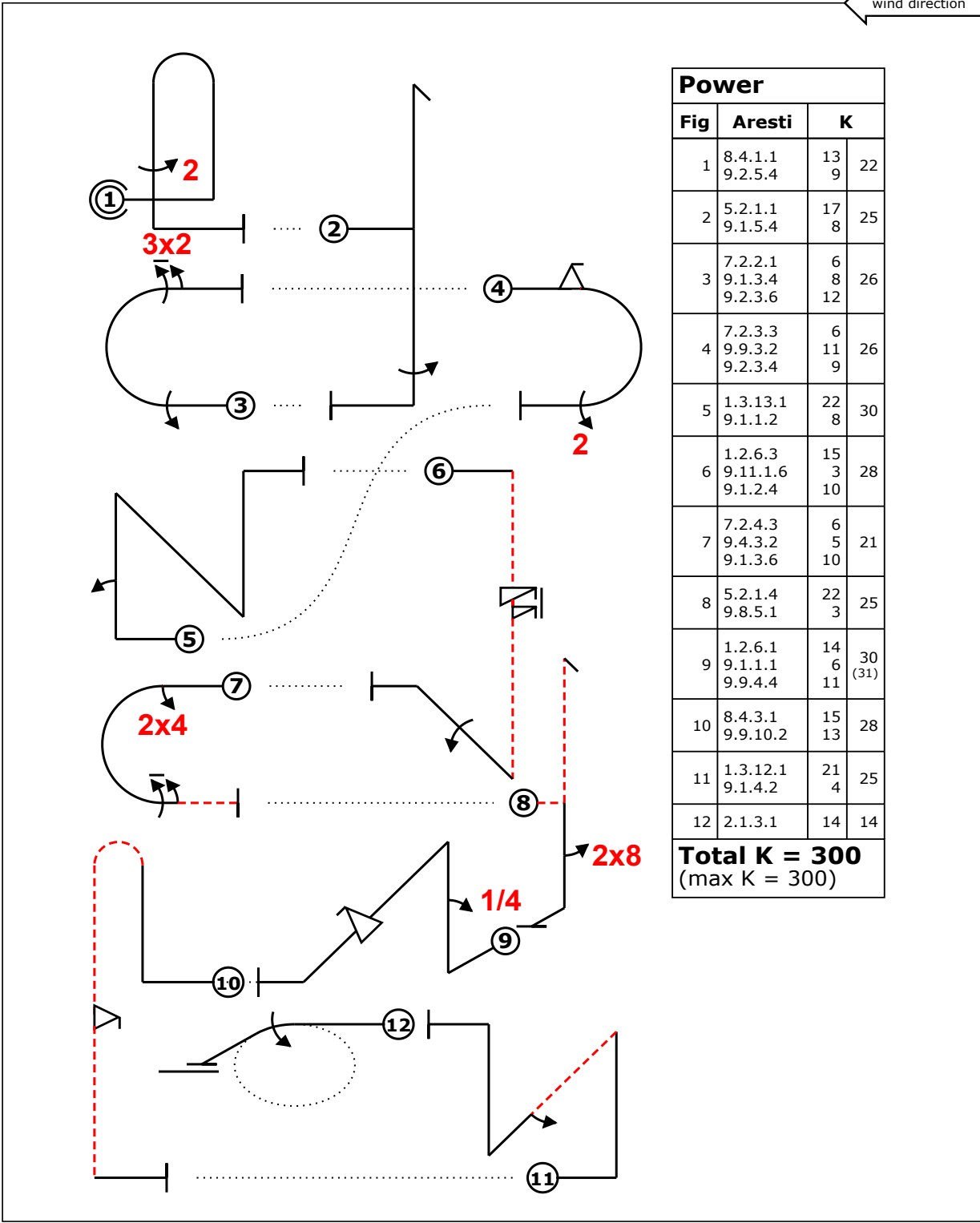
Advanced IAC Free Arne Strøm 2019.seq - Starmoen (ENSM)



B	Contest: Nardic Aerobatic Championship	Category: Advanced
	Date: aug. 2019	Program: Free

Pilot: Arne Strom

wind direction



Power			
Fig	Aresti	K	
1	8.4.1.1	13	22
	9.2.5.4	9	
2	5.2.1.1	17	25
	9.1.5.4	8	
3	7.2.2.1	6	26
	9.1.3.4	8	
	9.2.3.6	12	
4	7.2.3.3	6	26
	9.9.3.2	11	
	9.2.3.4	9	
5	1.3.13.1	22	30
	9.1.1.2	8	
6	1.2.6.3	15	28
	9.11.1.6	3	
	9.1.2.4	10	
7	7.2.4.3	6	21
	9.4.3.2	5	
	9.1.3.6	10	
8	5.2.1.4	22	25
	9.8.5.1	3	
9	1.2.6.1	14	30 (31)
	9.1.1.1	6	
	9.9.4.4	11	
10	8.4.3.1	15	28
	9.9.10.2	13	
11	1.3.12.1	21	25
	9.1.4.2	4	
12	2.1.3.1	14	14
Total K = 300 (max K = 300)			

A/C: Slick 360

.....
(signature/date)

FREE PROGRAM CHECK BY:

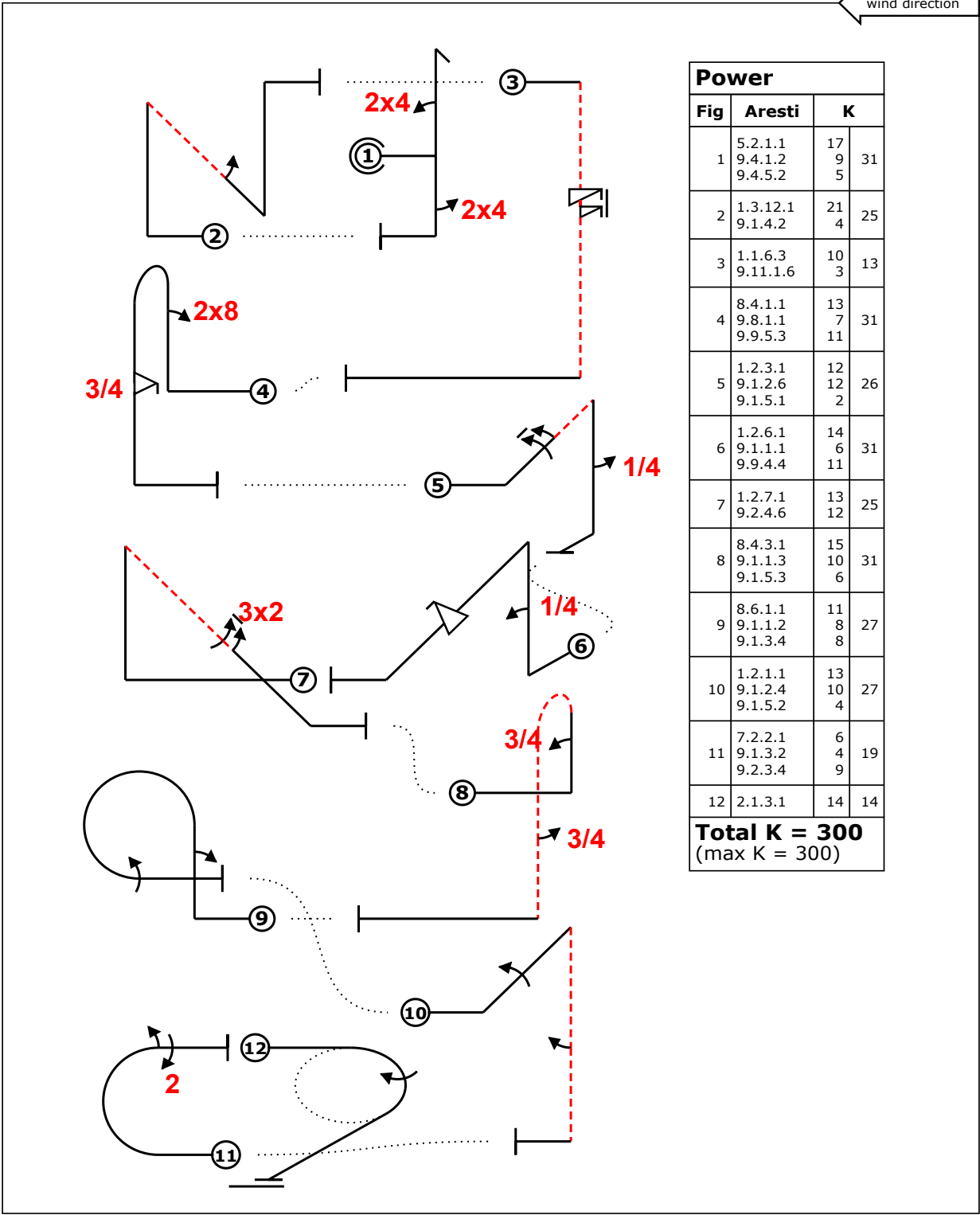
Advanced IAC Free Gustav Salminen 2019.seq - Starmoen (ENSM)



B	Contest: Nordic Aerobatic Championship	Category: Advanced
	Date: aug. 2019	Program: Free

Pilot: Gustav Salminen

wind direction



Power			
Fig	Aresti	K	
1	5.2.1.1	17	31
	9.4.1.2	9	
	9.4.5.2	5	
2	1.3.12.1	21	25
	9.1.4.2	4	
3	1.1.6.3	10	13
	9.11.1.6	3	
4	8.4.1.1	13	31
	9.8.1.1	7	
	9.9.5.3	11	
5	1.2.3.1	12	26
	9.1.2.6	12	
	9.1.5.1	2	
6	1.2.6.1	14	31
	9.1.1.1	6	
	9.9.4.4	11	
7	1.2.7.1	13	25
	9.2.4.6	12	
8	8.4.3.1	15	31
	9.1.1.3	10	
	9.1.5.3	6	
9	8.6.1.1	11	27
	9.1.1.2	8	
	9.1.3.4	8	
10	1.2.1.1	13	27
	9.1.2.4	10	
	9.1.5.2	4	
11	7.2.2.1	6	19
	9.1.3.2	4	
	9.2.3.4	9	
12	2.1.3.1	14	14
Total K = 300 (max K = 300)			

A/C: Pitts S-2C

.....
(signature/date)

FREE PROGRAM CHECK BY:

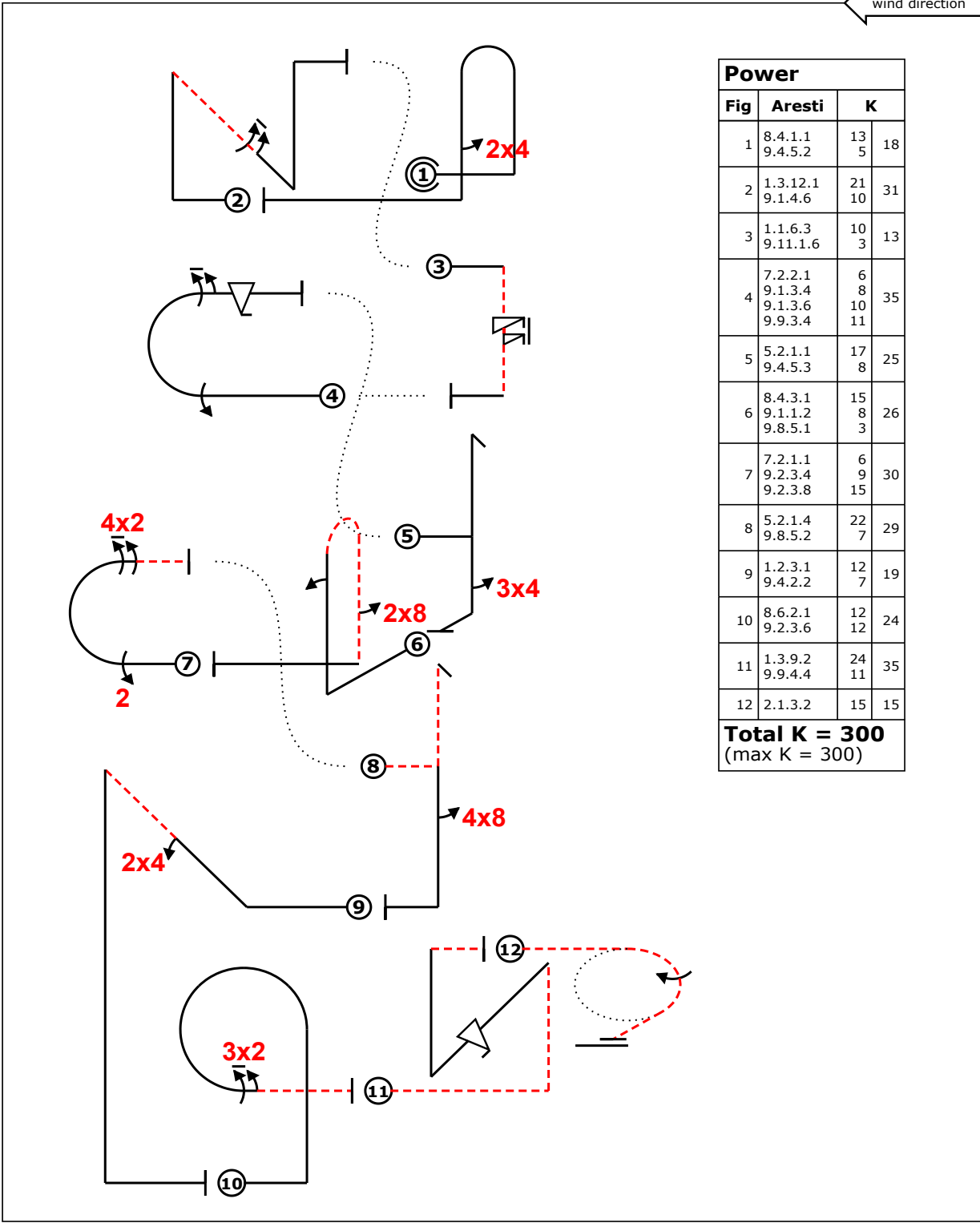
Advanced IAC Free Steinar Østby 2019.seq - Starmoen (ENSM)



B	Contest: Nordic Aerobatic Championship	Category: Advanced
	Date: aug. 2019	Program: Free

Pilot: Steinar Østby

wind direction



Power			
Fig	Aresti	K	
1	8.4.1.1	13	18
	9.4.5.2	5	
2	1.3.12.1	21	31
	9.1.4.6	10	
3	1.1.6.3	10	13
	9.11.1.6	3	
4	7.2.2.1	6	35
	9.1.3.4	8	
	9.1.3.6	10	
	9.9.3.4	11	
5	5.2.1.1	17	25
	9.4.5.3	8	
6	8.4.3.1	15	26
	9.1.1.2	8	
	9.8.5.1	3	
7	7.2.1.1	6	30
	9.2.3.4	9	
	9.2.3.8	15	
8	5.2.1.4	22	29
	9.8.5.2	7	
9	1.2.3.1	12	19
	9.4.2.2	7	
10	8.6.2.1	12	24
	9.2.3.6	12	
11	1.3.9.2	24	35
	9.9.4.4	11	
12	2.1.3.2	15	15
Total K = 300 (max K = 300)			

A/C: Extra 300S

.....
(signature/date)

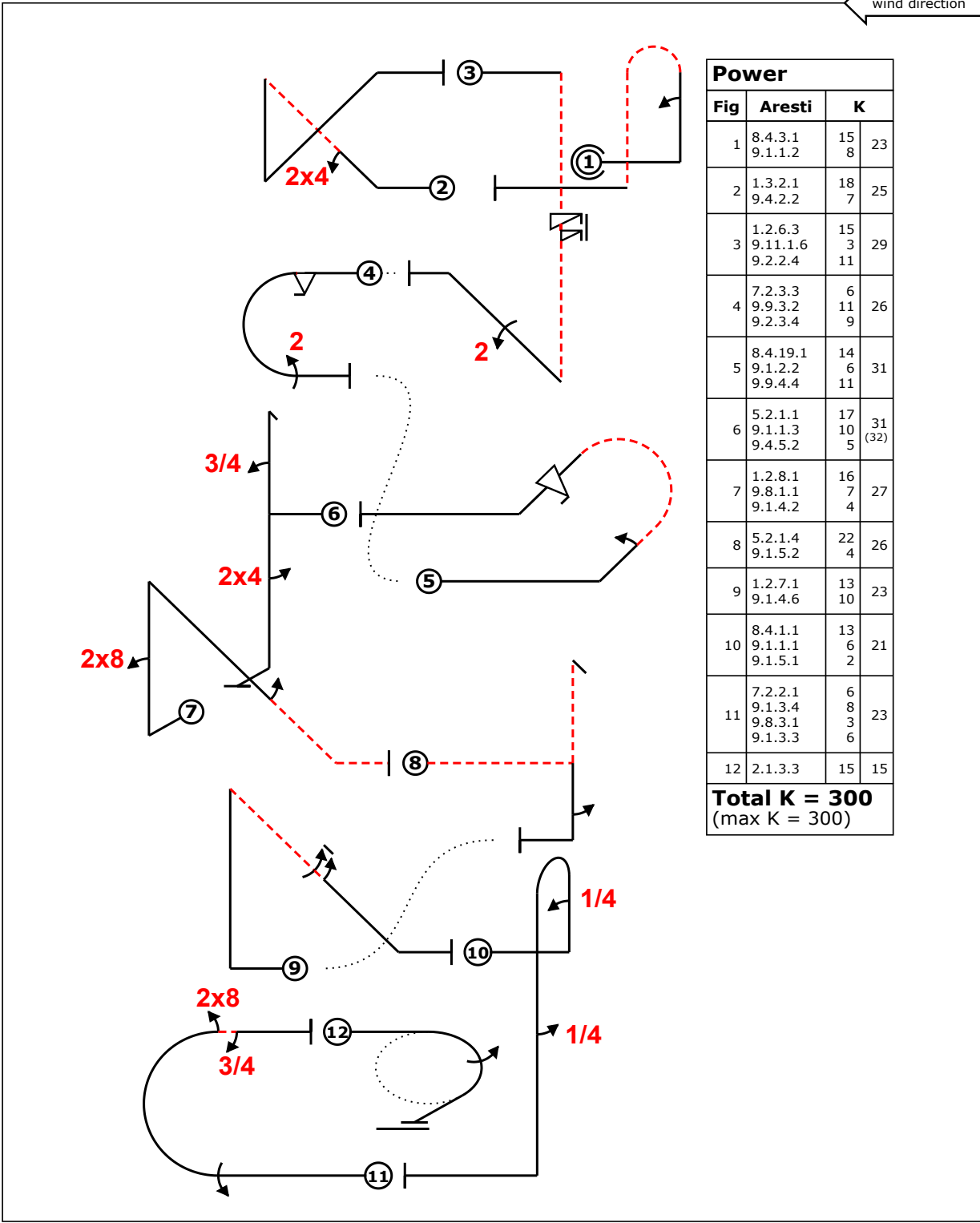
FREE PROGRAM CHECK BY:

Advanced IAC Free Bendik Johansen 2019.seq - Starmoen (ENSM)



B	Contest: Nordic Aerobatic Championship	Category: Advanced
	Date: aug. 2019	Program: Free

Pilot: Bendik M. Johansen



Power			
Fig	Aresti	K	
1	8.4.3.1	15	23
	9.1.1.2	8	
2	1.3.2.1	18	25
	9.4.2.2	7	
3	1.2.6.3	15	29
	9.11.1.6	3	
	9.2.2.4	11	
4	7.2.3.3	6	26
	9.9.3.2	11	
	9.2.3.4	9	
5	8.4.19.1	14	31
	9.1.2.2	6	
	9.9.4.4	11	
6	5.2.1.1	17	31 (32)
	9.1.1.3	10	
	9.4.5.2	5	
7	1.2.8.1	16	27
	9.8.1.1	7	
	9.1.4.2	4	
8	5.2.1.4	22	26
	9.1.5.2	4	
9	1.2.7.1	13	23
	9.1.4.6	10	
10	8.4.1.1	13	21
	9.1.1.1	6	
	9.1.5.1	2	
11	7.2.2.1	6	23
	9.1.3.4	8	
	9.8.3.1	3	
	9.1.3.3	6	
12	2.1.3.3	15	15
Total K = 300 (max K = 300)			

A/C: Extra 300S

.....
(signature/date)

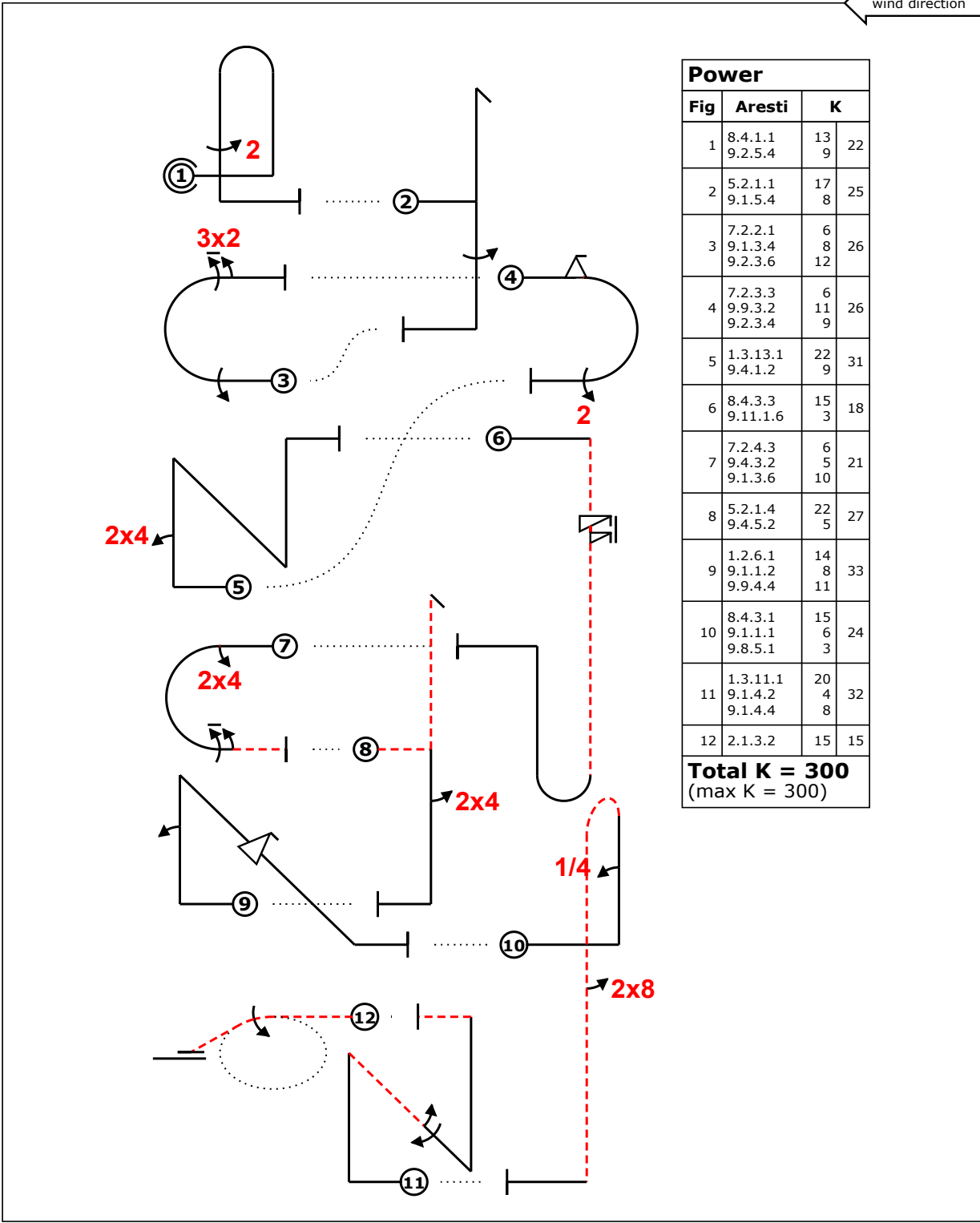
FREE PROGRAM CHECK BY:

Advanced IAC Free Morten Belstad 2019.seq - Starmoen (ENSM)



B	Contest: Nordic Aerobatic Championship	Category: Advanced
	Date: aug. 2019	Program: Free

Pilot: Morten Belstad



Power			
Fig	Aresti	K	
1	8.4.1.1	13	22
	9.2.5.4	9	
2	5.2.1.1	17	25
	9.1.5.4	8	
3	7.2.2.1	6	26
	9.1.3.4	8	
	9.2.3.6	12	
4	7.2.3.3	6	26
	9.9.3.2	11	
	9.2.3.4	9	
5	1.3.13.1	22	31
	9.4.1.2	9	
6	8.4.3.3	15	18
	9.11.1.6	3	
7	7.2.4.3	6	21
	9.4.3.2	5	
	9.1.3.6	10	
8	5.2.1.4	22	27
	9.4.5.2	5	
9	1.2.6.1	14	33
	9.1.1.2	8	
	9.9.4.4	11	
10	8.4.3.1	15	24
	9.1.1.1	6	
	9.8.5.1	3	
11	1.3.11.1	20	32
	9.1.4.2	4	
	9.1.4.4	8	
12	2.1.3.2	15	15
Total K = 300		(max K = 300)	

A/C: Extra 230

(signature/date)

FREE PROGRAM CHECK BY:

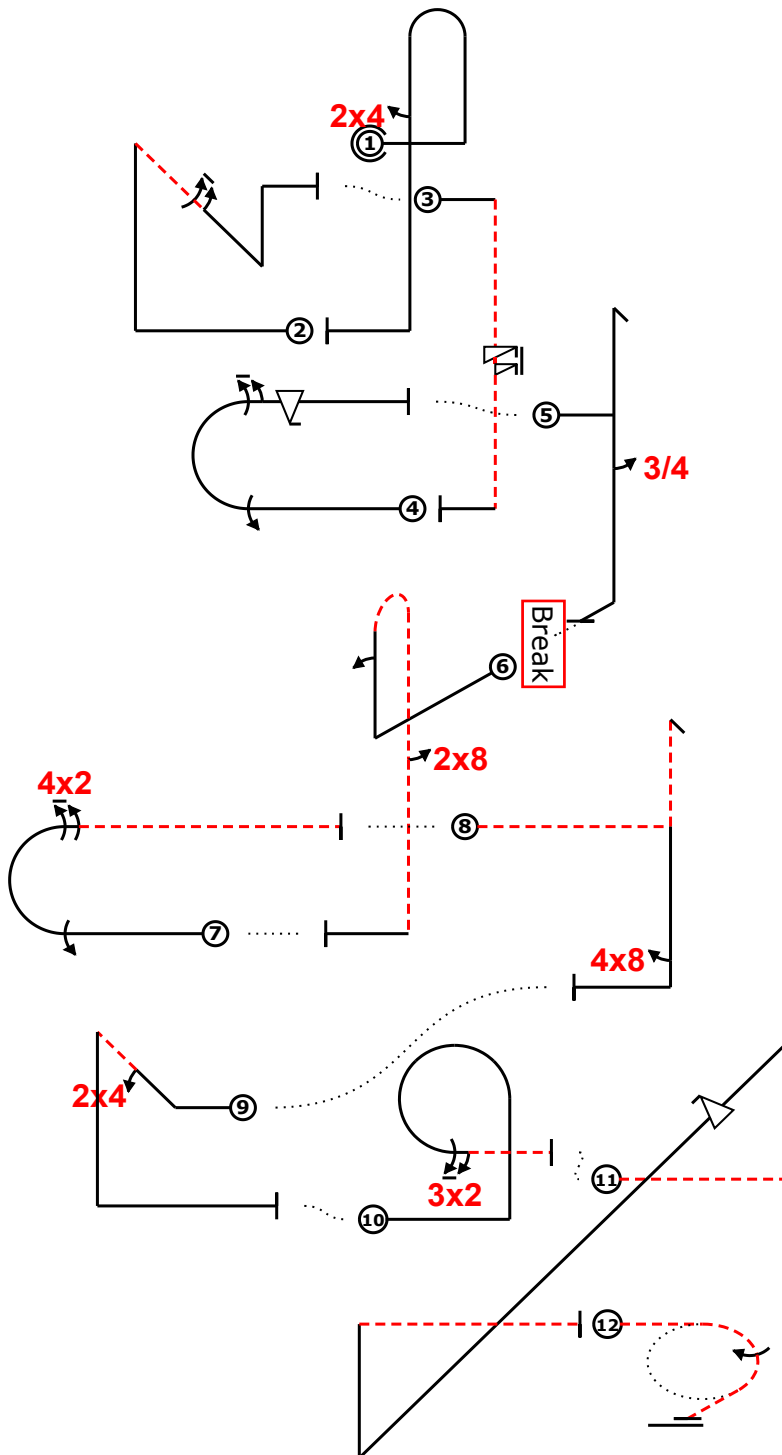
Advanced IAC Free Ivar Dyrdal 2019.seq - Starmoen (ENSM)



B	Contest: Nordic Aerobatic Championship	Category: Advanced
	Date: aug. 2019	Program: Free

Pilot: Ivar Dyrdal

wind direction



Power		
Fig	Aresti	K
1	8.4.1.1	13
	9.4.5.2	5
2	1.3.12.1	21
	9.1.4.6	10
3	1.1.6.3	10
	9.11.1.6	3
4	7.2.2.1	6
	9.1.3.4	8
	9.1.3.6	10
	9.9.3.4	11
5	5.2.1.1	17
	9.1.5.3	6
6	8.4.3.1	15
	9.1.1.2	8
	9.8.5.1	3
7	7.2.1.1	6
	9.1.3.4	8
	9.2.3.8	15
8	5.2.1.4	22
	9.8.5.2	7
9	1.2.3.1	12
	9.4.2.2	7
10	8.6.2.1	12
	9.2.3.6	12
11	1.3.9.2	24
	9.9.4.4	11
12	2.1.3.2	15
Total K = 297		
(max K = 300)		

A/C: Extra 230

(signature/date)

FREE PROGRAM CHECK BY:

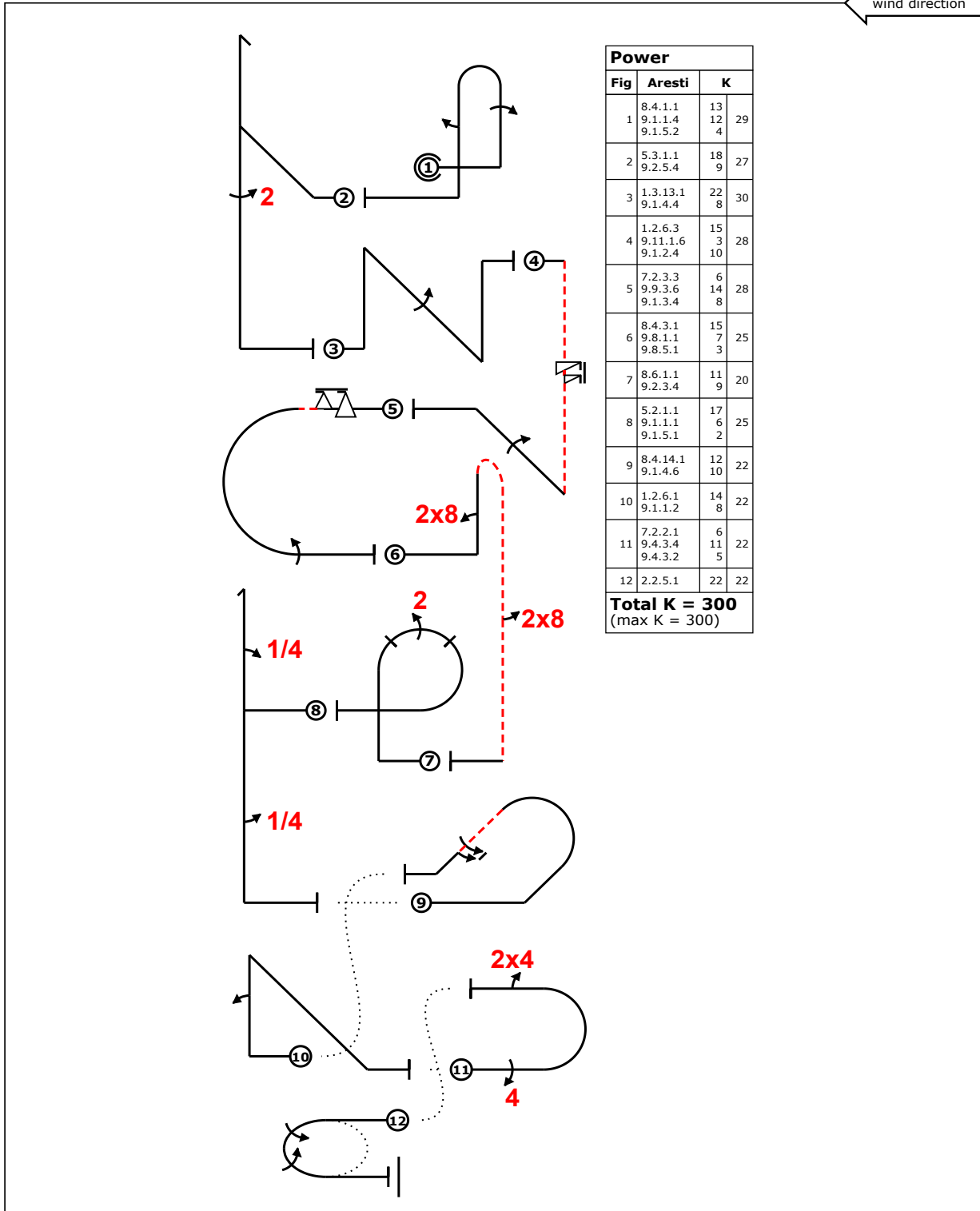
Advanced IAC Free Christian Falck 2019.seq - Starmoen (ENSM)



B	Contest: Nordic Aerobatic Championship	Category: Advanced
	Date: aug. 2019	Program: Free

Pilot: Christian Falck

wind direction



Power		
Fig	Aresti	K
1	8.4.1.1	13
	9.1.1.4	12
	9.1.5.2	4
2	5.3.1.1	18
	9.2.5.4	9
3	1.3.13.1	22
	9.1.4.4	8
4	1.2.6.3	15
	9.11.1.6	3
	9.1.2.4	10
5	7.2.3.3	6
	9.9.3.6	14
	9.1.3.4	8
6	8.4.3.1	15
	9.8.1.1	7
	9.8.5.1	3
7	8.6.1.1	11
	9.2.3.4	9
8	5.2.1.1	17
	9.1.1.1	6
	9.1.5.1	2
9	8.4.14.1	12
	9.1.4.6	10
10	1.2.6.1	14
	9.1.1.2	8
11	7.2.2.1	6
	9.4.3.4	11
	9.4.3.2	5
12	2.2.5.1	22
Total K = 300		
(max K = 300)		

A/C: Slick 360

.....
(signature/date)

FREE PROGRAM CHECK BY: